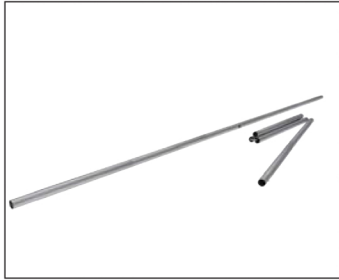


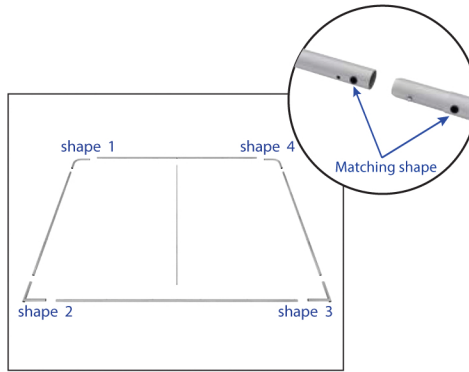
Waveline Straight Wall Display

Easy Set Up Instruction

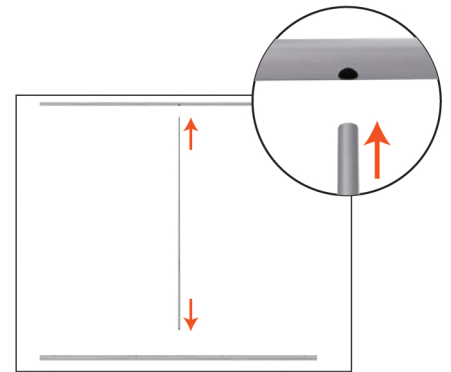
(Please read before set up)



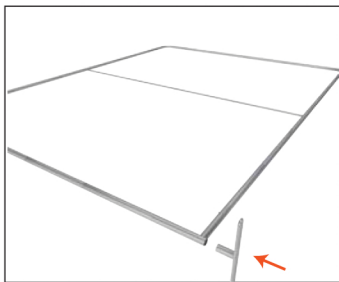
1. Extend and lock all bungied poles.



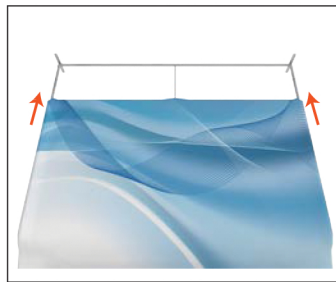
2. Connect corners to straight poles with matching shape codes.



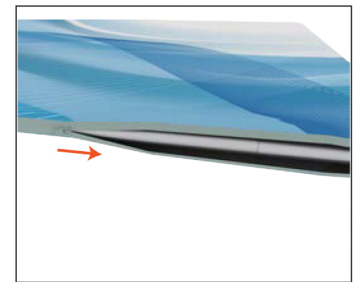
3. Insert center support pole.



4. Attach feet to bottom of frame.



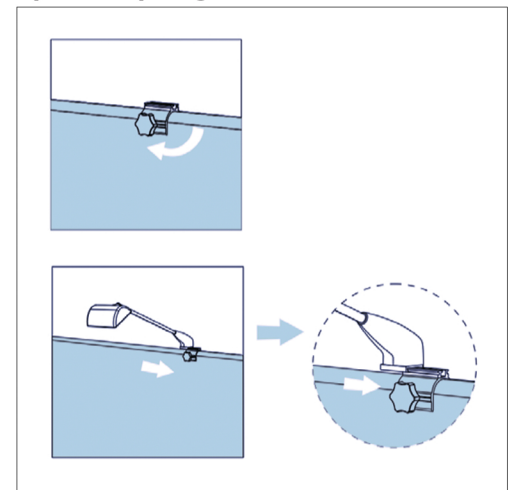
5. Slide fabric graphic over top of frame.



6. Zip bottom of graphic shut. Gently stand display up.



Optional Spotlights



* Fasten both lights to the top of the frame and slide into place.



▪ Website: www.prints-mart.com

▪ (Any Enquiry or Quote) E-mail: order@prints-mart.com

▪ Tel: (852)3168-6995 ▪ Fax: (852)3741-7896

▪ Address: Unit 1305 Hang Wai Industrial Ctr. Blk B 6 Kin Tai St. Tuen Mun, N.T. Hong Kong

